

Application

Designed for use as primary relief valve on above ground domestic and small industrial bulk LPG containers. When used in conjunction with a check device (isolation valve) permits the exchange of the relief valve without the necessity of evacuating the container. **Note:** This action must be carried out by trained personnel carefully following our operating instructions.

Features

- "Pop action" relief valve
- "Tell tale" hole is incorporated on the connection thread, which indicates the check device is closed and the relief valve may be removed
- The metal to metal seal on the check device allows for a "signal flow" of gas to act as a reminder that the container is unprotected when the valve is removed
- Generous flow channels with a low pressure drop for optimum performance

Relief valve ordering information

Relief valve part No.	Set pressure (bar)	Used on check device	Relief valve inlet connection	Overall height A	Wrench flats B	Flow rating w/ check device m ³ /min (air)
RS3131b15.7	15.7	CD31	3/4" M. NPSM	85 mm	46 mm	48.9*
RS3131b17.2	17.2					51.9*
RS3131b17.65	17.65					53.1*
RS3132b15.7	15.7	CD32	1" M. NPSM	129 mm	60 mm	70.1*
RS3132b17.2	17.2					77.5*
RS3132b17.65	17.65					
RS3135b15.6	15.6	CD35	1 1/4" M. NPSM	141 mm	68 mm	123*
RS3135b17.2	17.2					118*
RS3136b16	16	CD36	M36x2 Metric M.	135 mm	60 mm	69.4**
RS3136b17	17					77.4**
RS3136b18	18					87.0**
RS3145b17	17	CD45	M45x2 Metric M.	139 mm	68 mm	182.7**

* At 110% of set pressure

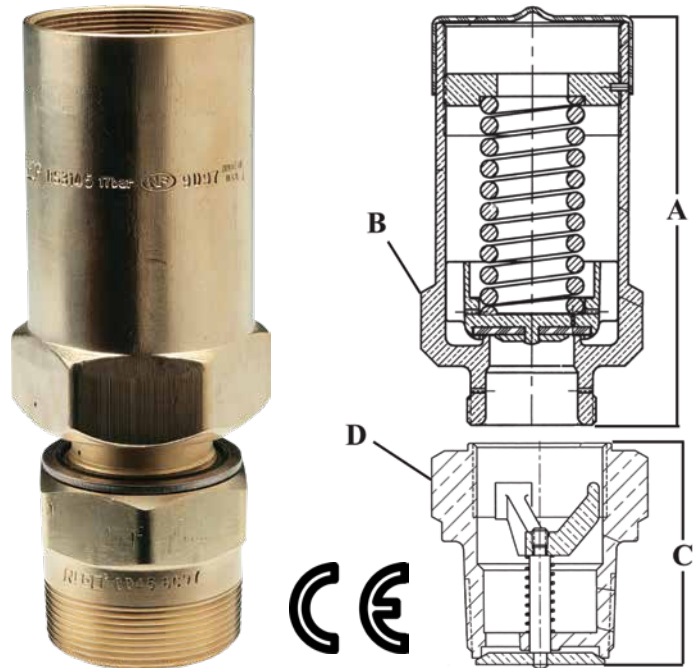
** Consult us for other setting pressures

Materials

- Bodies: brass
- Seat disc: nitrile rubber
- Springs: stainless steel or coated steel

Check device ordering information

Check device part No.	Container connection	Inlet connection	Overall height C	Wrench flats D
CD31	1 1/4" M. NPT	3/4" F. NPSM	59 mm	46 mm
CD32	1 1/4" M. NPT	1" F. NPSM	59 mm	46 mm
CD35	2" M. NPT	1 1/4" F. NPSM	59 mm	62 mm
CD36	1 1/4" M. NPT	M36x2 Metric F.	58 mm	52 mm
CD45	2" M. NPT	M45x2 Metric F.	59 mm	62 mm



Worldwide sales of high-quality gas equipment and components

KC ProSupply in Denmark > Tel +45 8644 8734

KC ProSupply in Portugal > Tel +351 220 938 700

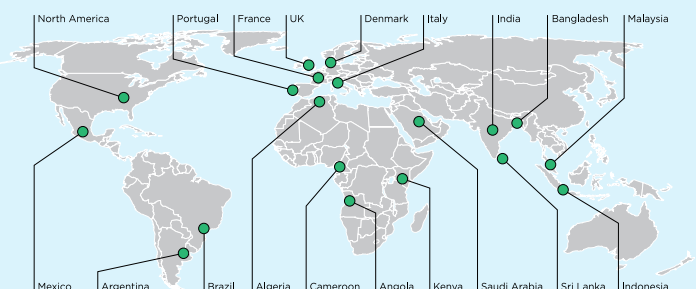
KC ProSupply in UK > Tel +44 1792 224 000

KC ProSupply in Argentina > Tel +54 911 3953 1717

kcprosupply@kosancrisplant.com | www.kcprosupply.com



KC ProSupply is Kosan Crisplant's trading division, dedicated to worldwide sales of high-quality gas equipment and components. Kosan Crisplant is part of MAKEEN Energy.



Kosan Crisplant a/s | P.O. Pedersens Vej 22 - DK-8200 Aarhus N - Denmark
Tel +45 8740 3000 | www.kosancrisplant.com | www.makeenenergy.com